

# pandorARC



PandorARC provides a compact, all-in-one, power and charging solution. Fitting neatly into a 128mm+ grommet hole, PandorARC allows you to make the most of your space, whilst offering 10W Qi compatible wireless charging as well as a choice combination of 25W USB charging and standard AC power.

PandorARC combines the best of our popular Pandora unit and ARC wireless charging technology to make for a convenient 360° solution. Open, PandorARC reveals your choice of power. Simply rotate the lid to tidy away unused sockets and offer a sleek wireless charging solution.

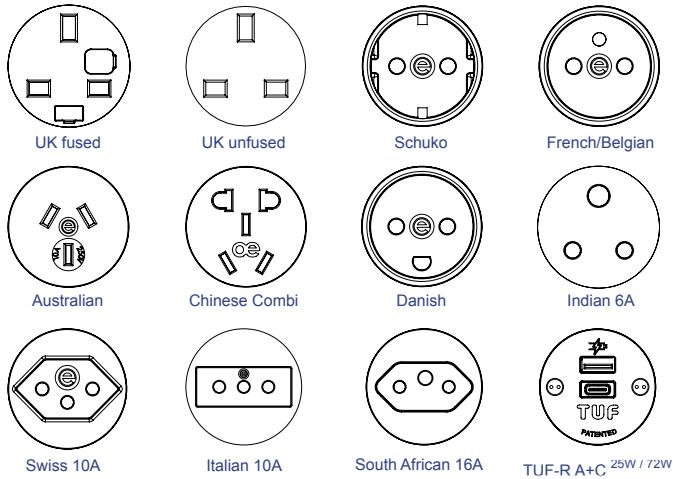
Available in both black and white with a choice of international sockets, PandorARC lends itself perfectly to meeting tables, hotel conference rooms, office hubs and more! No matter what device you need to charge, PandorARC is sure to offer the solution.

+ See Fitting Instructions



# technical

## Common Modular Components



\*We stock a variety of other configurations, please call for availability

### Certifications

- AC Power socket: Certified to the appropriate national/international standard eg: BS1363/5733, IEC60884-1, UL498, CCC, AS/NZS3112
- OE TUF-R 25W IEC/UL 62368-1
- Wieland connectors - IEC 61535
- Wireless Charger - EU

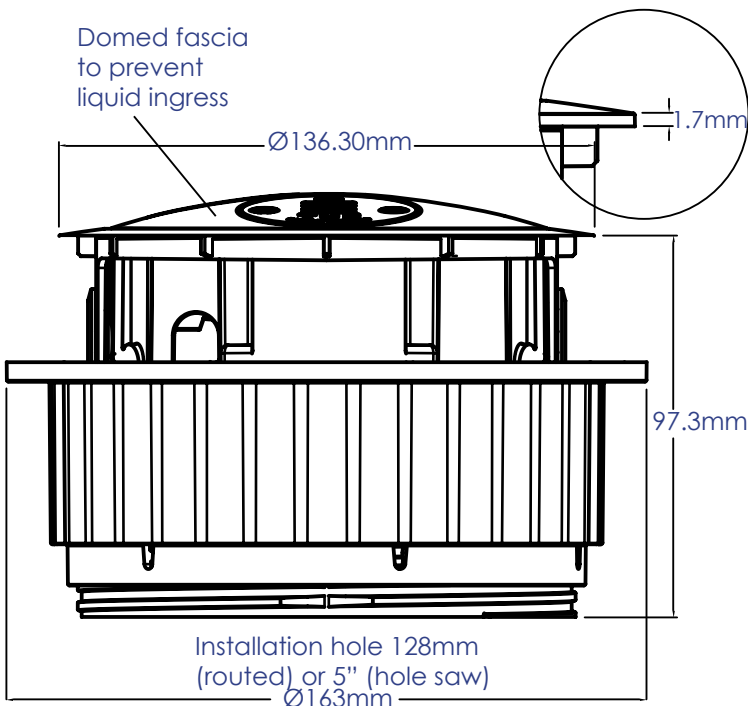
### CE Marking

All units built with UK and European socket types are CE marked by OE Electrics as complying with:

- Electromagnetic Compatibility Directive 2014/30/EU
- Low Voltage Equipment Directive 2014/35/EU
- RoHS3 Directive 2015/863

### pandorARC Dimensions

pandorARC with "INCLINED" grommet:



### Configuration

In addition to the 10W Qi compatible wireless charger, PandorARC's three socket apertures can be configured with any combination of AC power sockets from the OE Electrics 42mm international range plus our class leading TUF25W USB charger or TUF HP with an under-desk PSU.

### Construction

Body and grommet - Fire retardant PC/ABS.  
Securing nut - Nylon 6.

### Colour

White (9003) body with grey socket fascias, or Black body with black socket fascias.

### Fusing (to enable compliance to BS6396)

UK fused sockets are fitted with 5 x 20mm anti-surge ceramic fuses, with colour-coded fuse clips to denote the rating (3.15A/5A).

### Power-cord options:

The pandorARC power cord may be hard-wired to a Wieland GST18 male connector, the appropriate mains AC plug for the socket type fitted, or an OE J Coupler for connecting two or more pandorARC units to a single mains supply socket.

### Quality and testing

All pandorARC units are manufactured using ISO9001 quality controlled components and practices and are 100% tested before dispatch.

- Visual: Configuration and appearance.
  - Mechanical: correct operation of rotating mechanism.
  - Power sockets: Continuity, polarity, insulation & earth
  - USB charger: Output voltage and resistance
  - Wireless charger - Correct charging power
- "We test every pin on every connection in every socket"

# technical

## Wireless Charger Specifications

Output power:	10W Max
Input power:	15W max (DC5V 2A / 9V 1.67A)
Standby power:	0.45 W
Charging Z-Distance:	0-8 mm (coil to coil)
Certification:	EU

## TUF-R 25W USB Charger

Features	
Internal Over Temp Protection	Yes, Self Resetting, Blue & Green LED flash
Internal Over Voltage Protection	Self Resetting
Output Over Current Protection	Self Limiting Type C - Flash Green Type A - Flash Blue
Short Circuit Protection	Self Resetting
USB Sockets	Gold plated for improved contact. Type A and Type C manufactured for minimum 10.000 insertions.
Power indicator	Blue LED Standard Voltage Green LED Higher Voltage (PD/QC)
Charge Standards	(IDR) - Intelligent Device Recognition, PD3.0; QC2/QC3
Standards	Certified to IEC 62368-1 : 2014 (safety) and EN61204 : 2000 (EMC)

Specifications	
USB Charging Outlets	1 x Type A Female (Reversible) 1 x Type C Female (Reversible)
Charging Current	Type C 5V/3A, 9V/2.22A, 15V/1.65A, 20V/1.2A (PD3.0) Type A: 5V/3A, 9V/2A, 12V/1.5A (QC3.0/QC2.0) Combined (A+C) : 5V/4.0A (MAX)
Rated Total Output Power	25W
AC Voltage Range	100-240VAC at 50/60Hz
AC Input Current (Full Load)	Maximum 0.6A
Efficiency	Up to 90%
Environment	0-25°C
Standby Power	0.05W

## TUF-R HP USB Charger

Specifications	
USB Charging Outlets	1 x Type A Female (Reversible) 1 x Type C Female (Reversible)
Charging Current	Type C : Max 60W 20V/3A, 15V/3A, 9V/3A, 5V/3A (PD3.0) 3.3 - 11.0V / 3.2A (PD PPS Mode) QC 2/3.0 5V/3A, 9V/2A, 12V/1.5A Type A : Max 12W 5V / 2.4A IDR BC1.2, Apple 12W Mode Samsung Fast Charge
Output Power	70W Max
Input Voltage	24-30V DC
Environment	0-25°C
Over Current Protection	Yes. Digital control at 3.3A. Auto reset with LED flash.
Short Circuit Protection	Yes. Digital control at 3.3A. Auto reset.
Over Temperature Protection	Auto Power Reduction to PD 45W Mode. 20V/2.25A, 15V/3A, 9V/3A, 5V/3A
Field Replaceable:	Yes, when in 42mm Canister & QF5 solutions.

## QF30 PSU

Specifications	
Input Connectors	1x Male mains GST18i3 Input 20A installation coupler
Output Connectors	1x Female Mains GST18i3 output 20A installation coupler 1x Female 30V DC GST08 output
Input Voltage	100-230 VAC 50-60Hz 100-110 VDC
Rated Input Current	1.7A
AC through current rating	20A
Output Power	70W Max
Output Voltage	30V DC
Output Current Rated	2.34A
Standby Power	0.21W
Efficiency	92% Max
Over Current Protection	Yes
Short Circuit Protection	Yes
Over Temperature Protection	Yes
Status Indication	Yes Blue LED - power on
Certifications	UL/IEC 62368-1 : 2018 (safety) EN61204 : 2018 (EMC) EN 50121-3-2 (railway) FCC part 15 (B)

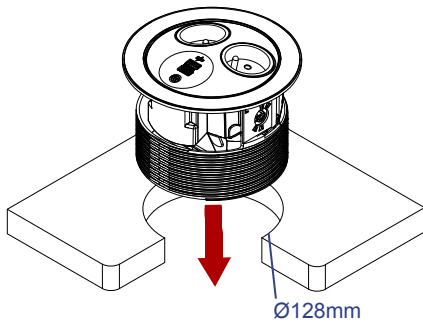
The QF30PSU must be paired with the TUF-R HP and GST08 lead.

# installation

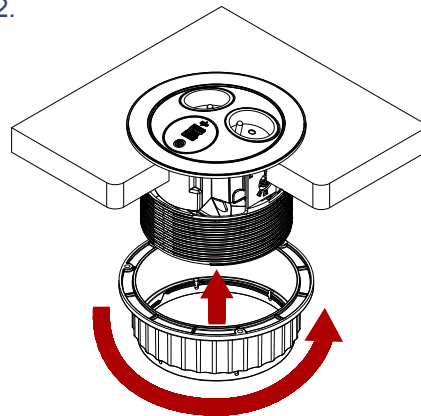
## CLAMP FIX (Inclined frame)

Rear access required

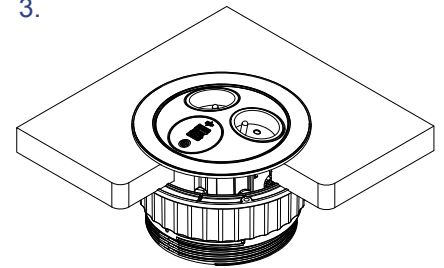
1.



2.



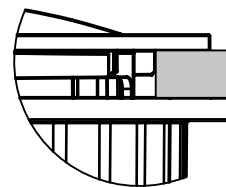
3.



pandorARC drops into a 128mm+ grommet hole e.g. in a table top and is then secured by tightening by hand the moulded securing nut. No tools are needed once the grommet hole is cut, but access below/behind the fixing surface is required.

+ A 5" (127mm) hole saw will usually achieve a 128mm hole. If the hole is to be CNC machined, please cut a 128mm hole.

It is recommended that the cable to the rear of the panel, next to pandorARC's hinge, is secured using the accompanying Cable Cleat, to prevent drag on the hinge mechanism.



Inclined pandorARC is suitable for surfaces up to 42mm.