

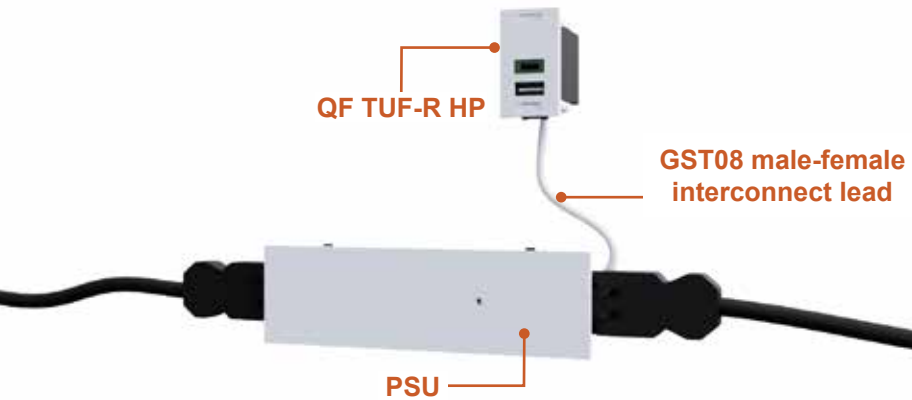


GST08 male-female interconnect lead

GST08 male to female leads are required to interconnect our Animate system DC power products such as the TUF-HP 72W USB charger, QikFit 30 Power Supply and QikPac battery pack. They are available in 0.5m, 1m, 1.5m and 2m lengths.

Cable type	H03V2V2H2-F
Connector type	GST08i2
Cable cores	2 x 0.75mm ²
Rated current	6A
Rated voltage	50V
Lockable	No
Colour coding	Green
Cable colour	White
Cable diameter (max)	5.4mm

Typical scenario

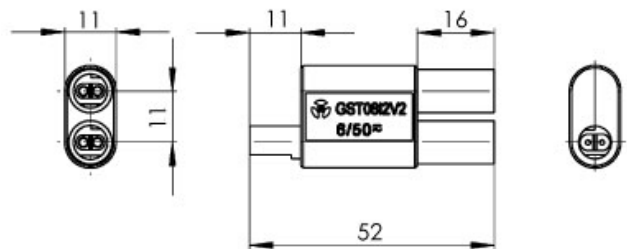
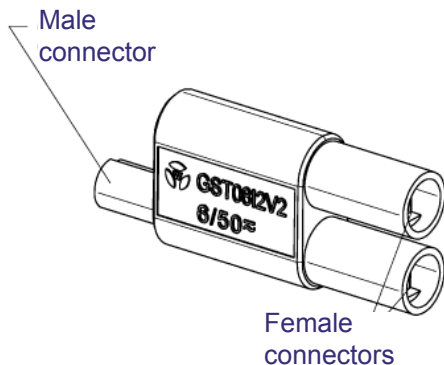


The GST08 3 way splitter enables a single OE Animate system DC power source to provide power to two devices via GST08 interconnect leads.

Rated current	6A
Rated voltage	50V
Rated impulse voltage	2 kV
Lockable	No
Colour coding	Green
Number of inputs	1
Number of outputs	2
Housing material	PVC



GST08 3-way Splitter



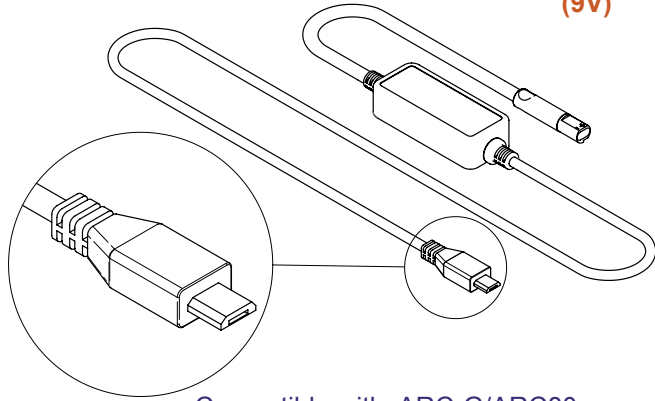
GST08 convertor cable

The OE GST08 convertor cables are available with either a DC jack plug or Micro USB connector.

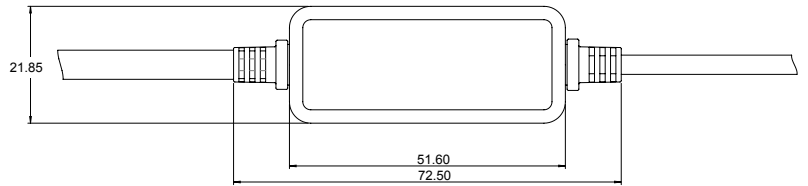
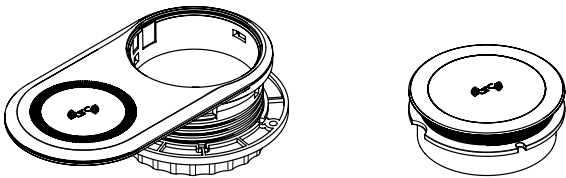
The GST08 to Micro USB cable converts 30V to 9V to enable ARC-G / ARC80 to be compatible with the GST08 DC system and the ANIMATE range of products.



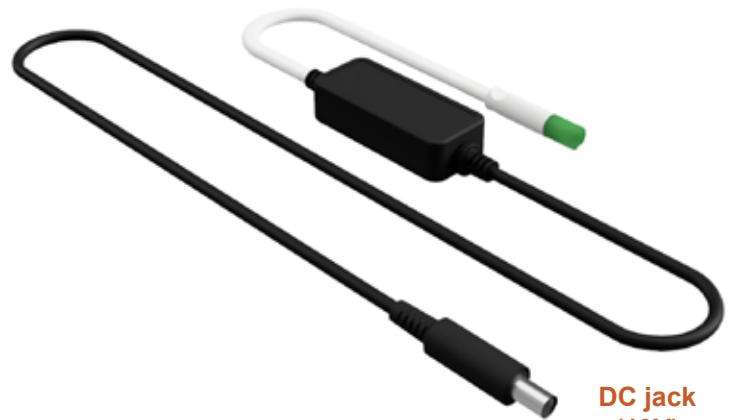
**Micro USB
(9V)**



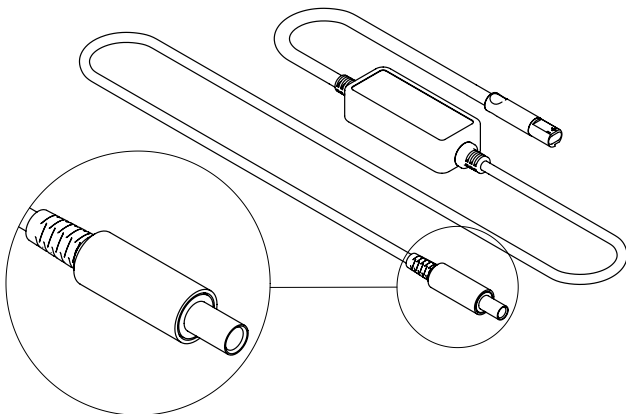
Compatible with: ARC-G/ARC80



The GST08 to DC jack plug cable converts 30V to 19V to enable ARC-H to be compatible with the GST08 DC system and the ANIMATE range of products.



**DC jack
(19V)**



Compatible with: ARC-H LD

